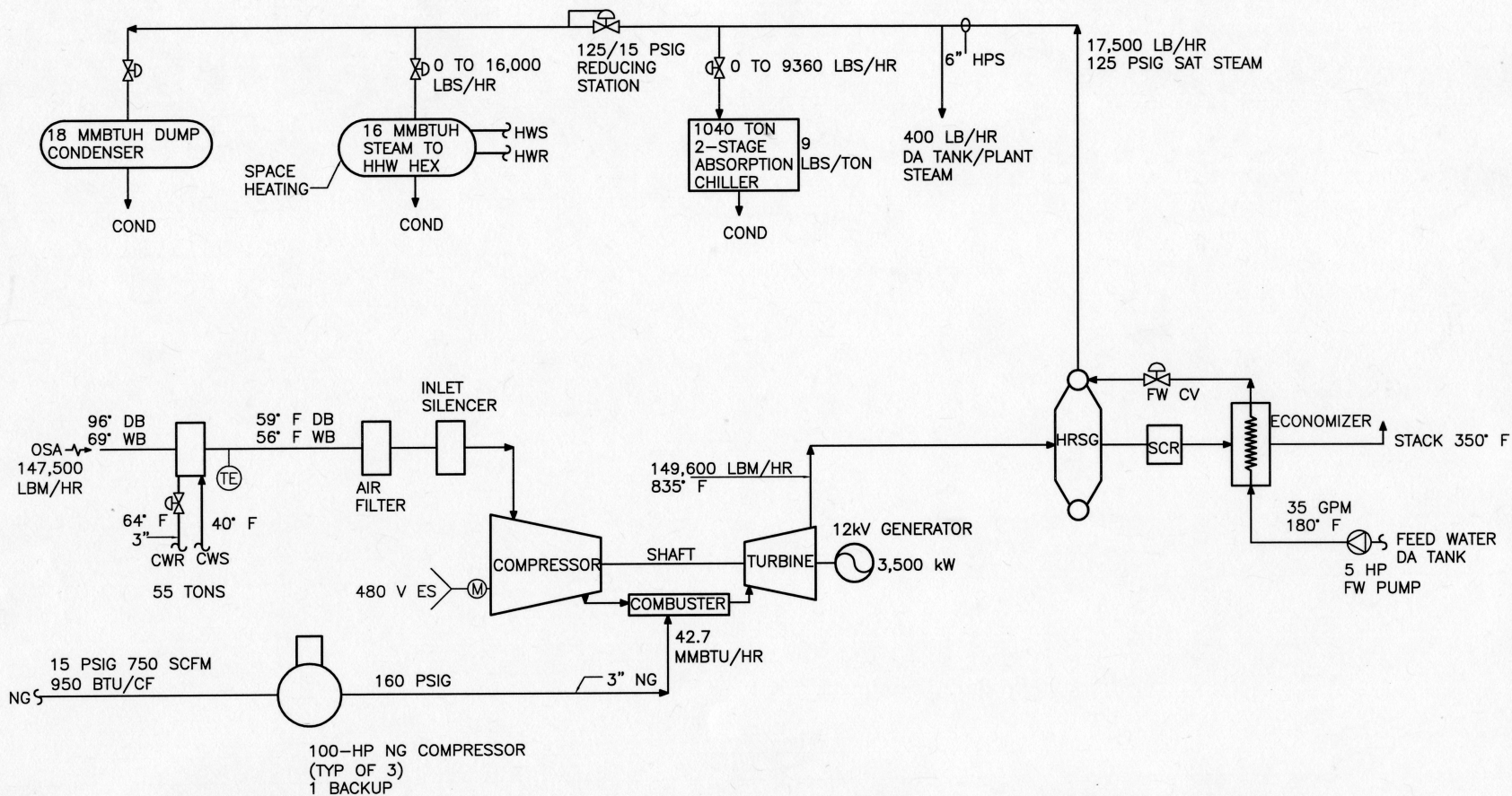


FIGURE 3 CONVENTIONAL PLANT SCHEMATIC DIAGRAM



LEGEND:

- | | | | |
|------|---------------------|-----|-------------------------------|
| COND | CONDENSATE | HWR | HOT WATER RETURN |
| DA | DEAERATOR | HWS | HOT WATER SUPPLY |
| EXH | EXHAUST | NG | NATURAL GAS |
| HHW | HEATING HOT WATER | OSA | OUTSIDE AIR |
| HPS | HIGH PRESSURE STEAM | SCR | SELECTIVE CATALYTIC REDUCTION |